

Common Rail Injector (CRI/CRIN)

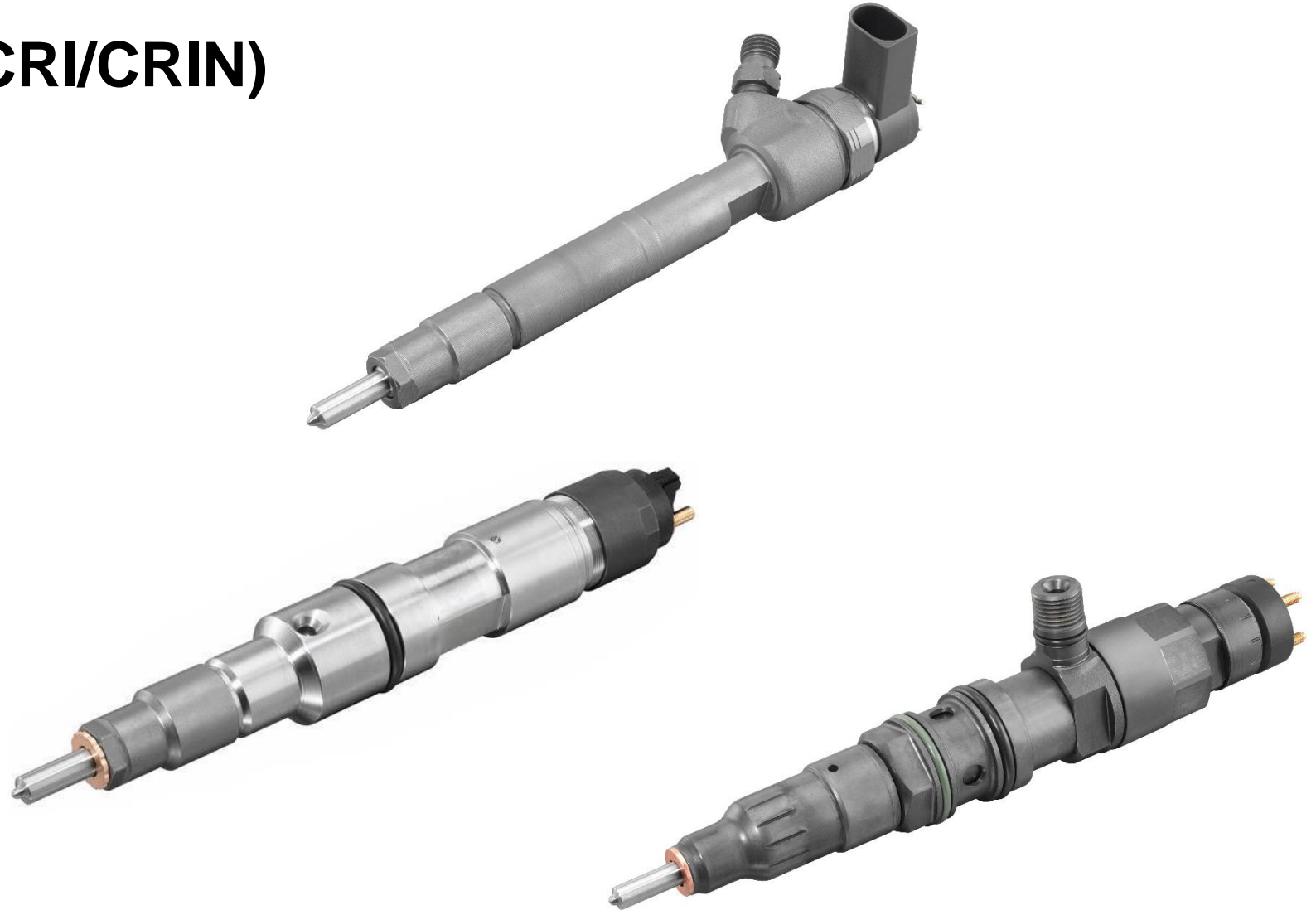
Criteria:

Identification

Completeness

Mechanical damage

Corrosion



Common Rail Injector (CRI/CRIN)

Criteria:

Identification

Part number must be legible



CRI

Acceptable



CRIN

Acceptable

Common Rail Injector (CRI/CRIN)

Criteria:

Completeness

Aggregate dismantled, nozzle missing, inject connector missing or magnet unit missing is not acceptable



Not acceptable



Not acceptable

Common Rail Injector (CRI/CRIN)

Criteria:

Mechanical damage

Damage on connector or magnet unit



Acceptable



Acceptable

Common Rail Injector (CRI/CRIN)

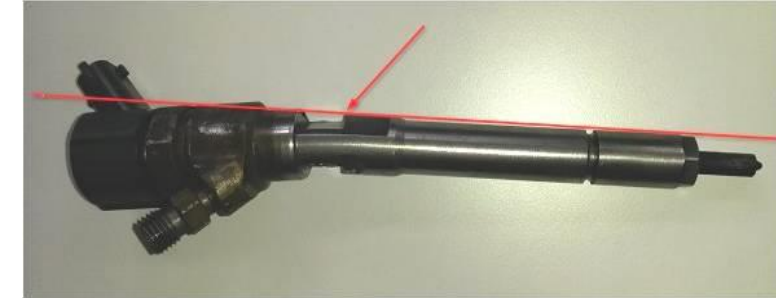
Criteria:

Mechanical damage

Damage on body caused by inappropriate handling (e.g. hammer)



Not acceptable



Not acceptable

Common Rail Injector (CRI/CRIN)

Criteria:

Corrosion

No corrosion or separated corrosion spots is acceptable;
Heavy large area corrosion is not acceptable;



Acceptable



Acceptable