

Common Rail Injector (CRI/CRIN)

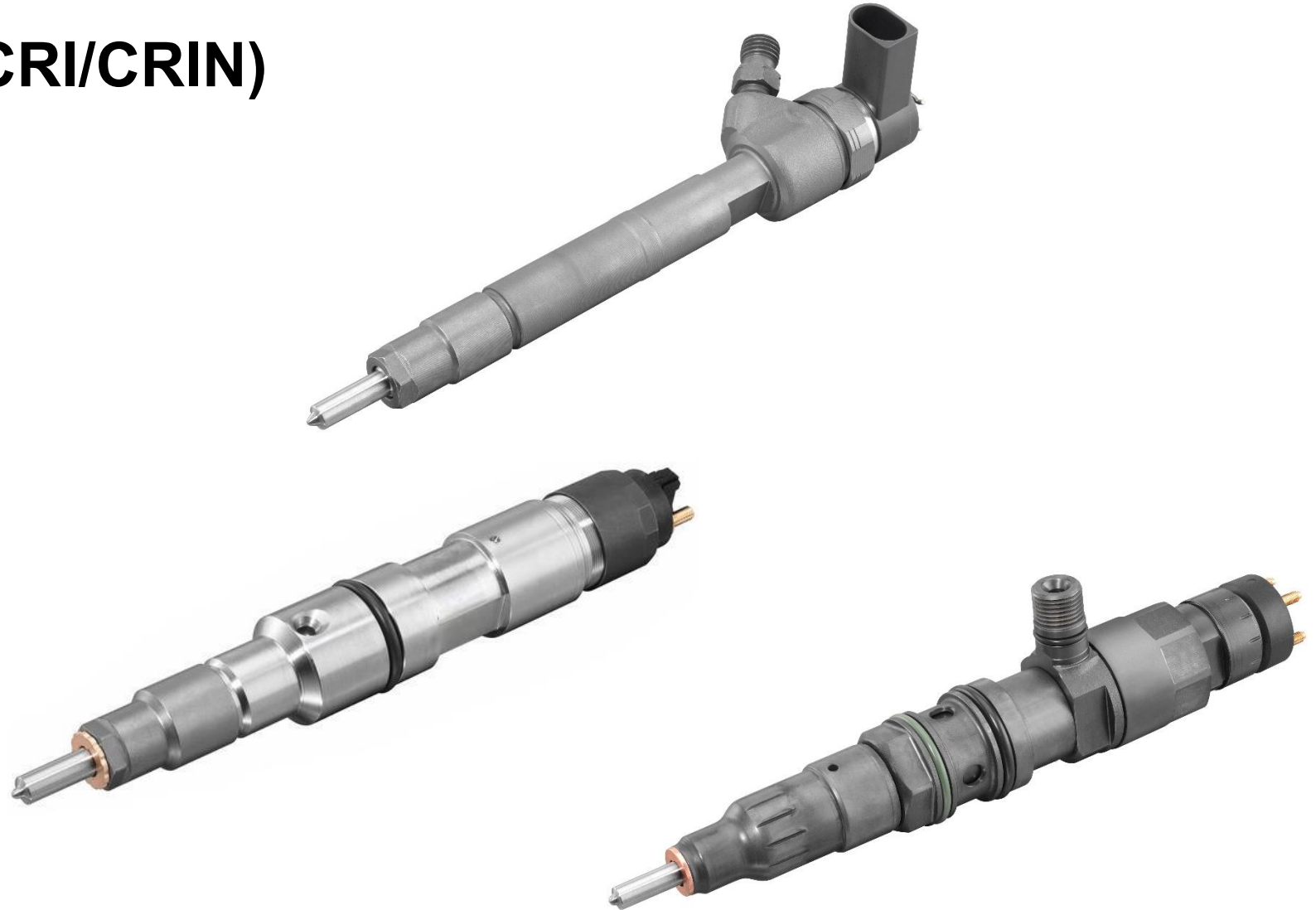
Criteria:

Identification

Completeness

Mechanical damage

Corrosion



Common Rail Injector (CRI/CRIN)

Criteria:

Identification

Part number must be legible



CRI

Acceptable



CRIN

Acceptable

Common Rail Injector (CRI/CRIN)

Criteria:

Completeness

Aggregate dismantled, nozzle missing, inject connector missing or magnet unit missing is not acceptable



Not acceptable



Not acceptable

Common Rail Injector (CRI/CRIN)

Criteria:

Mechanical damage

Damage on connector or magnet unit is acceptable



Acceptable



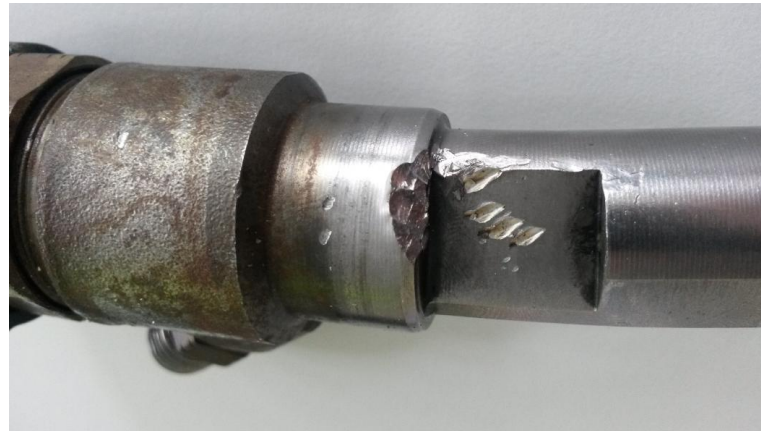
Acceptable

Common Rail Injector (CRI/CRIN)

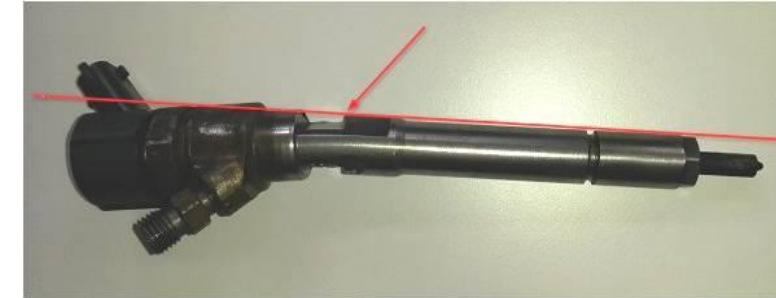
Criteria:

Mechanical damage

Damage on body caused by inappropriate handling (e.g. hammer) are not acceptable



Not acceptable



Not acceptable

Common Rail Injector (CRI/CRIN)

Criteria:

Mechanical damage

Small damages on housing are acceptable



Acceptable



Acceptable

Common Rail Injector (CRI/CRIN)

Criteria:

Corrosion

Corrosion are acceptable



Acceptable



Acceptable