

## Ignition distributor

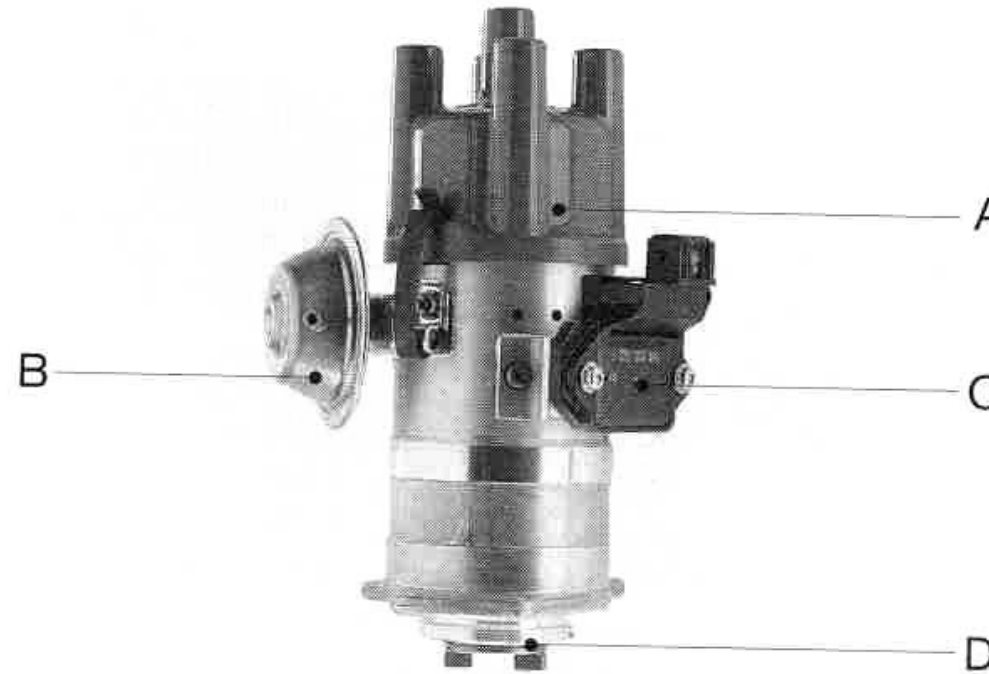
### Criteria:

Identification

Completeness

Mechanical damage

Corrosion



## Ignition distributor

### Criteria:

#### Identification

Part number must be legible

## Ignition distributor

### Criteria:

#### Completeness

Acceptable if

- No missing distributor cap (A)
- No missing plug
- Complete screwed in place

## Ignition distributor

### Criteria:

#### Mechanical damage

Acceptable if vacuum unit (B) is complete and undamaged, undamaged mounting plate, undamaged ignition module(C), undamaged distributor shaft (D)

## Ignition distributor

### Criteria:

Corrosion

Corrosion is not acceptable