

## DENOX 2.2

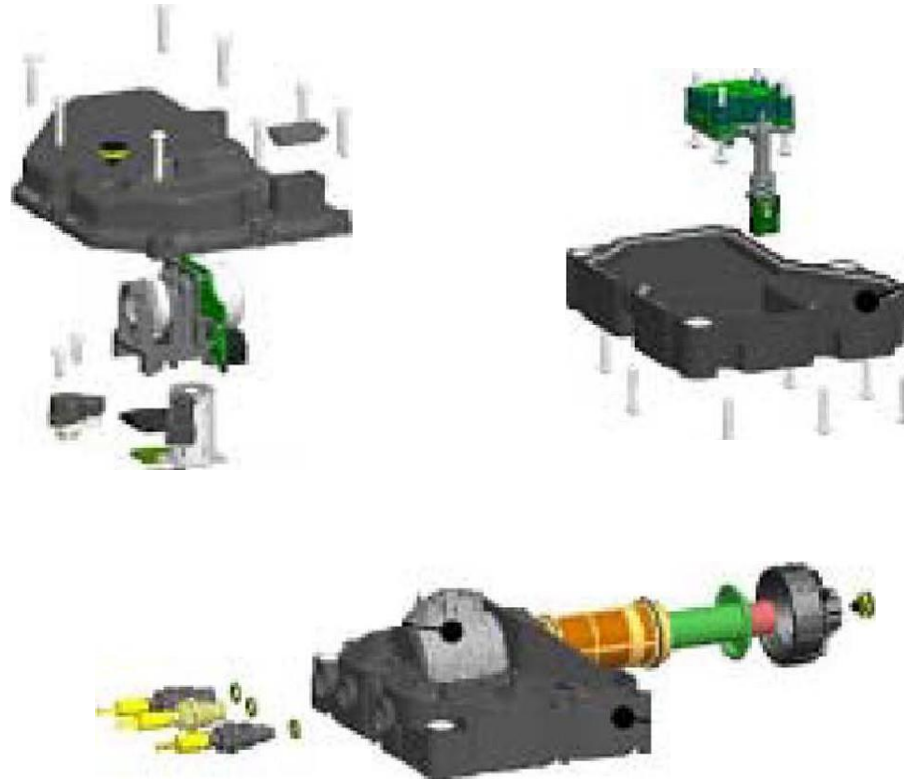
### Criteria:

Identification

Completeness

Mechanical damage

Corrosion



## DENOX 2.2

### Criteria:

#### Identification

Part number must be legible

## DENOX 2.2

### Criteria:

#### Completeness

Module dismantled is not acceptable;  
Single parts are not acceptable



Not acceptable



Not acceptable

## DENOX 2.2

### Criteria:

Mechanical damage

Flooded parts are not acceptable



Not acceptable

## DENOX 2.2

### Criteria:

Corrosion

Corrosion is not acceptable